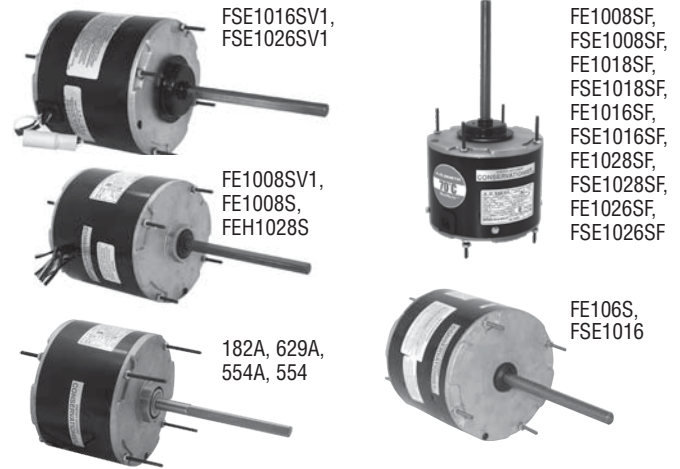


5-5/8" Diameter (Totally Enclosed) - Outdoor Ball and Sleeve Bearing

Condensers - Heat Pump - Refrigeration

Features:

- Energy Efficient \$
- Permanent Split Capacitor
- Class B or Class F Insulation
- Ball or Sleeve Bearing
- 1/2" Dia. Flatted Shaft
- 26" (Minimum) to 48" Leads
- 60 HZ
- All Angle Mount
- 60° or 70° C Ambient
- Auto Protector
- Reversible
- 6 and 8 Pole
- Extended Thru Bolts

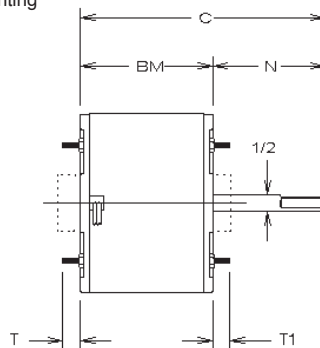


"TURN-A-BOU" 1 AND 2-SPEED (CAPACITOR NOT INCLUDED)

HP	RPM	Volts	Speeds	Amps		Insulation Class	Ambient	Stock Number	Bearings	Capacitor	Dim. Ref.	Notes
				Rated	Max.							
1/10	825	208-230	1	0.6	0.63	B	60°C	FE1008SV1	Ball	5MFD/370V	11	6,9,98,288,\$
1/10	1075	208-230	1	0.7		B	60°C	182A	Sleeve	5MFD/370V	1	9,131,308,288,\$
1/8	825	208-230	1	0.8	0.9	B	60°C	FE1008S	Ball	5MFD/370V	15	1,6,9,98, 288,\$
1/8	825	208-230	1	1.0		F	70°C	FE1008SF	Ball	5MFD/370V	8	311,370,\$ HeatMaster
1/8	825	208-230	1	1.0		F	70°C	FSE1008SF	Sleeve	5MFD/370V	8	40,370, \$ HeatMaster
1/6	825	208-230	1	1.1		F	70°C	FE1018SF	Ball	5MFD/370V	9	311,370,\$ HeatMaster
1/6	825	208-230	1	1.0		B	60°C	629A	Sleeve	5MFD/370V	5	3,9,40,308,278,\$
1/6	825	208-230	1	1.1		F	70°C	FSE1018SF	Sleeve	5MFD/370V	9	40,370,\$ HeatMaster
1/6	1075	208-230	1	0.9	1.3	B	60°C	FE1016S	Ball	5MFD/370V	13	1,9,71,288,\$
1/6	1075	208-230	1	1.4		F	70°C	FE1016SF	Ball	5MFD/370V	6	311,370,\$ HeatMaster
1/6	1075	208-230	1	.9	1.3	B	60°C	FSE1016SV1	Sleeve	5MFD/370V	4	9,308,281,\$
1/6	1075	208-230	1	1.4		F	70°C	FSE1016SF	Sleeve	5MFD/370V	6	40,281,\$ HeatMaster
1/6	1075	208-230	2	1.0		B	60°C	554	Ball	5MFD/370V	14	1,9,60,288,\$
1/6	1075	208-230	2	0.92		B	60°C	554A	Ball	5MFD/370V	17	9,24,\$ New!
1/6	1075	208-230	2	.9	1.3	B	60°C	FSE1016	Sleeve	5MFD/370V	2	9,71,288,\$
1/4	825	208-230	1	1.5		F	70°C	FE1028SF	Ball	5MFD/370V	10	311,370,\$ HeatMaster
1/4	825	208-230	1	1.5		F	70°C	FSE1028SF	Sleeve	5MFD/370V	10	40,370,\$ HeatMaster
1/4	850	460	1	0.75		B	60°C	FEH1028S	Ball	5MFD/370V	18	9,98,281,\$
1/4	1075	208-230	1	2.0		F	70°C	FE1026SF	Ball	5MFD/370V	19	311,370,\$ HeatMaster
1/4	1075	208-230	1	1.3	1.8	B	60°C	FSE1026SV1	Sleeve	5MFD/370V	3	9,308,281,\$
1/4	1075	208-230	1	2.0		F	70°C	FSE1026SF	Sleeve	5MFD/370V	7	40,281,\$ HeatMaster

Notes:

- Item to be discontinued when stock is depleted
- 60/50 HZ
- Reversing Plug
- Mounting accessories packaged with motor
- Four mounting holes in shell
- Stock #1218A adapter and rings supplied for base mounting
- No hubs on either end
- 1/2" hub on shaft end and slinger
- 40" leads
- 36" leads
- 26" leads (minimum)
- 1/2" hub on shaft end frame with slinger.
Grommet on lead exits.
- 1/2" dia. shaft, single flat
- 48" leads



Approximate Dimensions

Ref.	BM	C	N	T	T1
1	3.74	9.74	6.00	.55	.88
2	3.99	9.99	6.00	.67	.88
3	4.36	10.80	6.44	.56	.88
4	3.99	10.43	6.44	.67	.88
5	4.24	10.26	6.02	.88	1.49
6	3.99	10.49	6.50	.88	1.06
7	4.36	10.86	6.50	.88	1.12
8	4.24	10.74	6.50	.88	1.12
9	4.11	10.61	6.50	.88	1.12
10	4.61	11.11	6.50	.88	1.12
11	4.11	10.11	6.00	.88	.88
12	4.61	10.61	6.00	.56	.88
13	3.99	9.99	6.00	.56	.88
14	4.00	10.05	6.05	1.09	1.75
15	4.24	10.24	6.00	.88	.88
17	3.99	10.04	6.05	.88	1.51
18	4.86	10.86	6.00	.94	088
19	4.36	10.86	6.50	.88	1.12